

2700 ECP SERIES



BL2701 ECP (EASI-CODE PRO)

FEATURES

- On door code change
- Key by-pass
- Optional holdback
- Over 4000+ combinations
- Reversible on site
- Cycle tested 50k+
- Optional code change disabling plug



SPECIFICATION

Construction: Cast housing & knob with s/steel buttons

Buttons: 14 buttons; 12 coded, 1 clear & 1 code change

Finishes: Satin Chrome

Fixings: 2 flat bladed spindles (3 1/8" & 3 15/16") and fixings to suit doors between 1 3/16" and 2 3/8" thick

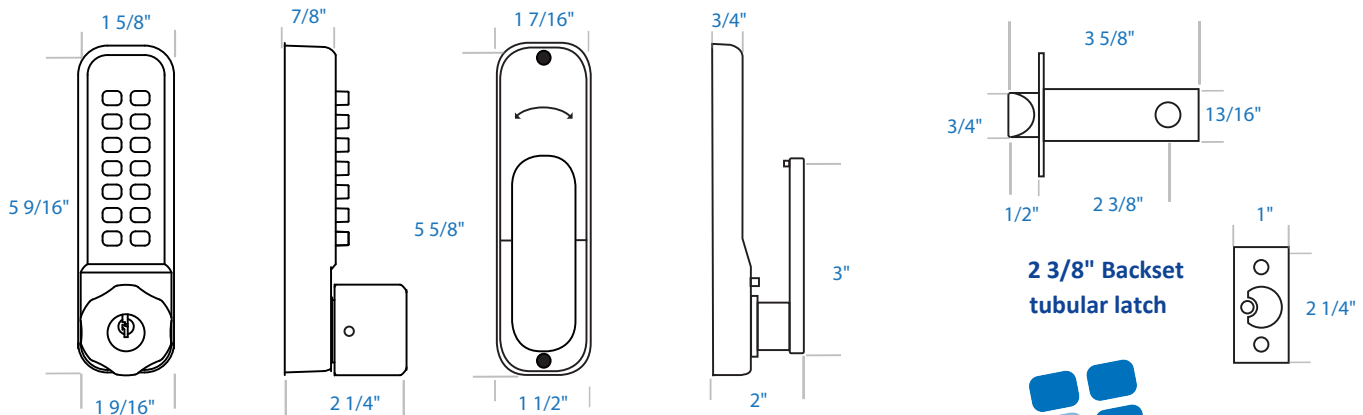
Door type: Suitable for all light to medium duty doors

Deadlatch: Anti-thrust pin ensures automatic locking when the door is closed

Cylinder: Yale 6 pin removable cylinder x 3 keys

Available latches: 2", 2 3/8" and 2 3/4" tubular latches available

PRODUCT DIMENSIONS



2700 Series Keypad

2700 Series Inside Handle

WWW.BORGLOCKS.COM

TEL: 727-543-9381

Borg Locks, Inc. (BLINC) 55 Concord Street Unit 229 North Reading, MA 01864

