

# 4400 ECP SERIES



## BL4401 ECP (EASI-CODE PRO)

### FEATURES

- On door code change
- Optional holdback
- 1000 hours salt spray tested
- Over 4000+ combinations
- Reversible on site
- Optional code change disabling plug



### SPECIFICATION

**Construction:** Cast housing & knob with s/steel buttons

**Buttons:** 14 buttons; 12 coded, 1 clear, 1 code change

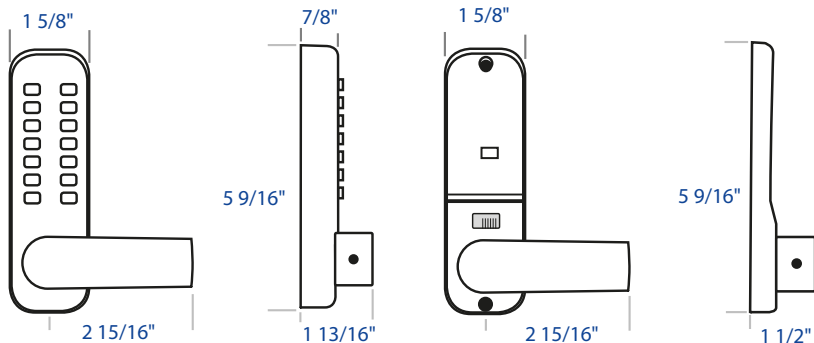
**Finishes:** Black marine grade external coating (MG Pro)

**Fixings:** 5/16" flat bladed sprung spindle and M4 s/steel fasteners to fit gates up to 3 1/4"

**Door type:** Designed to be installed on internal or external wooden and timber gate/doors

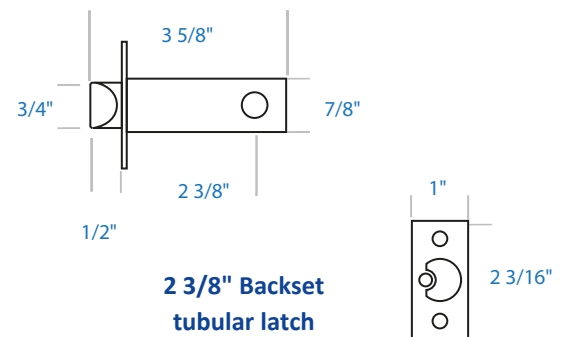
**Deadlatch:** **dead-latch** pin ensures automatic locking when the door is closed

### PRODUCT DIMENSIONS



4400 Series keypad

4400 Series Inside Handle



2 3/8" Backset  
tubular latch

[WWW.BORGLOCKS.COM](http://WWW.BORGLOCKS.COM)

TEL: 339-204-9155

BLINC, LLC 55 Concord Street Unit 229B North Reading, MA 01864

